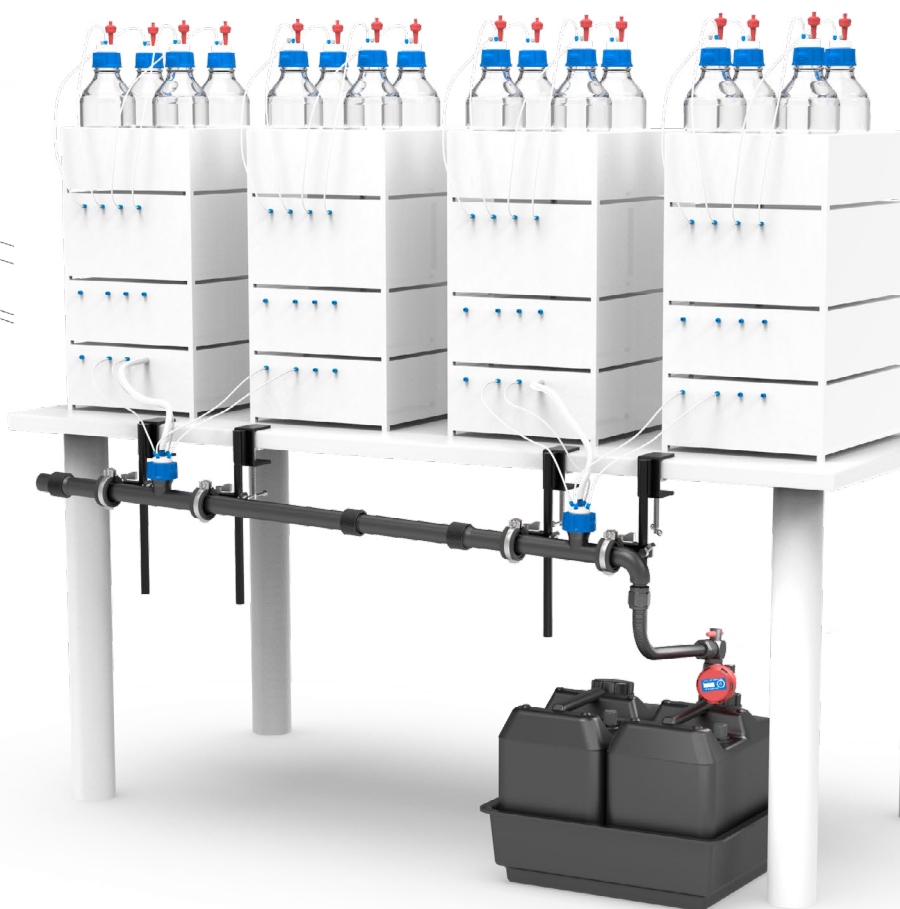
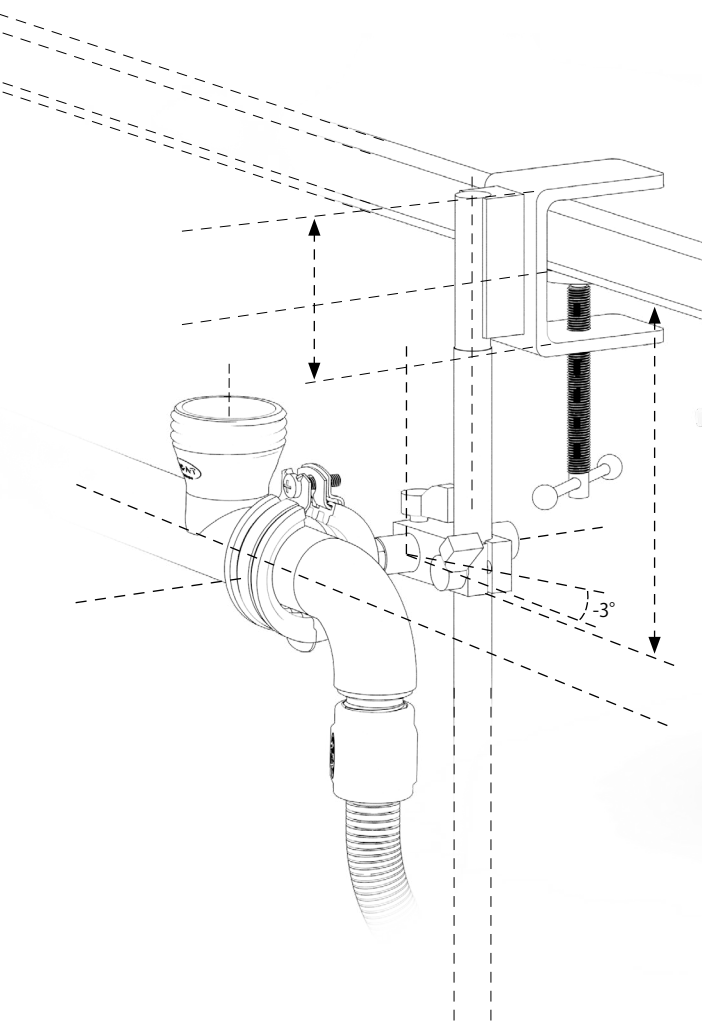


The Safest Strategy
for Liquid Waste.

SymLine[®] FLEX

The Flexible Waste Disposal System for HPLC Work Stations.



SymLine[®] FLEX

The Flexible Waste Disposal System.



Simple, damage-free installation ✓

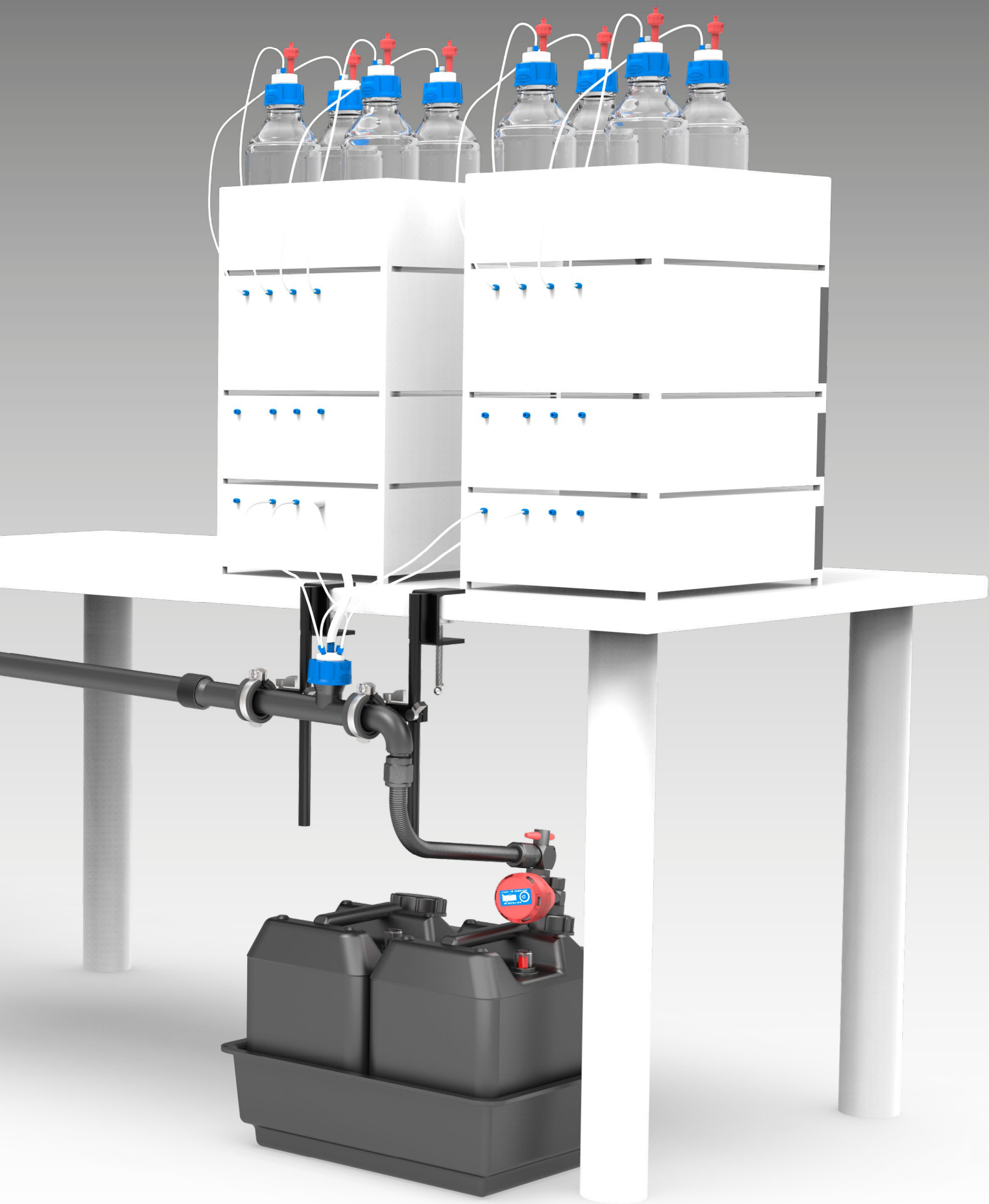
Do-It-Yourself modular system ✓

Can be flexibly adapted and integrated at any time ✓

Central collection point for solvent waste ✓

Anti-Static and resistant to solvents ✓

Closed system, suitable for both solvent feed and waste disposal ✓



A Brand of





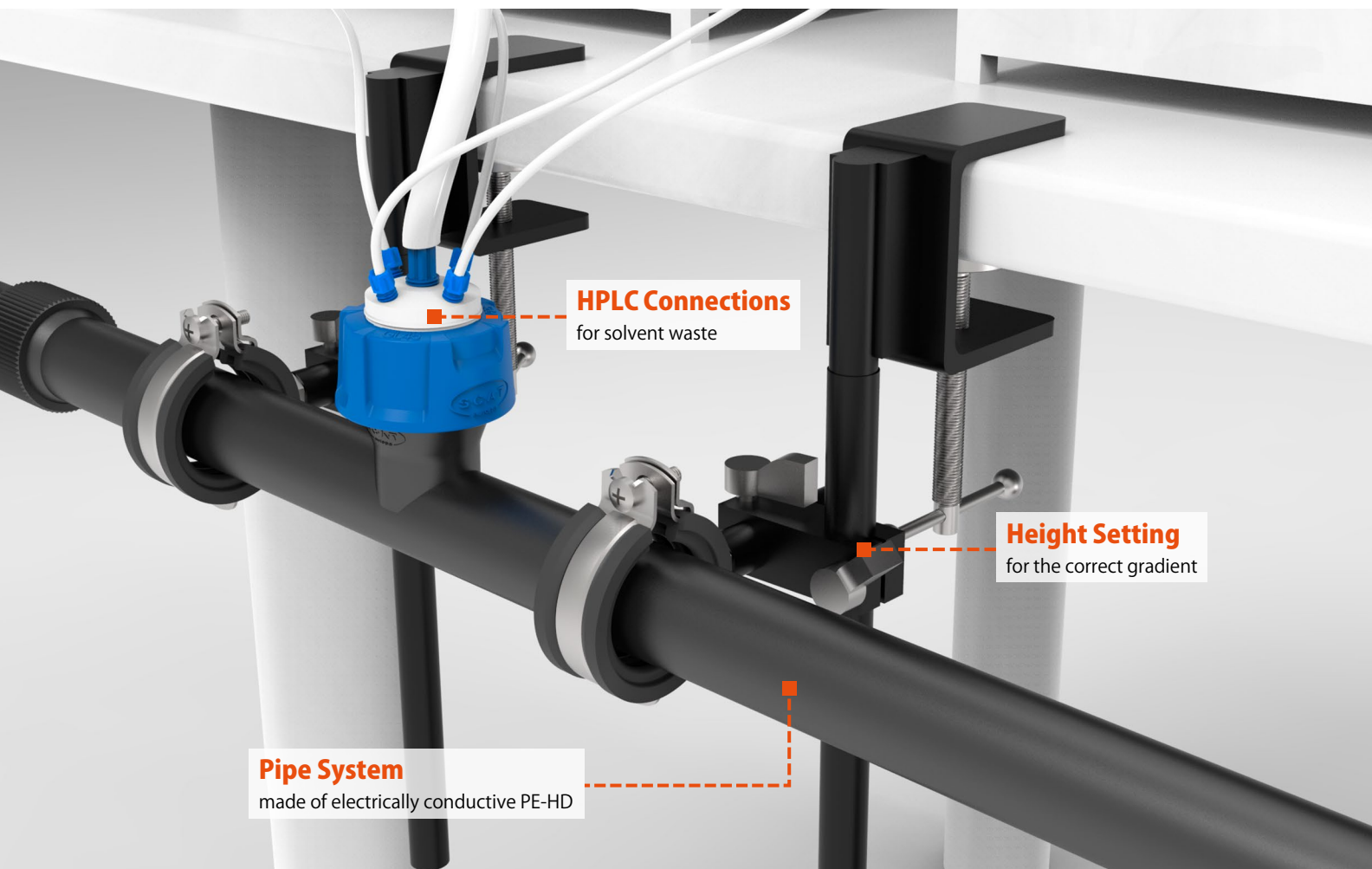
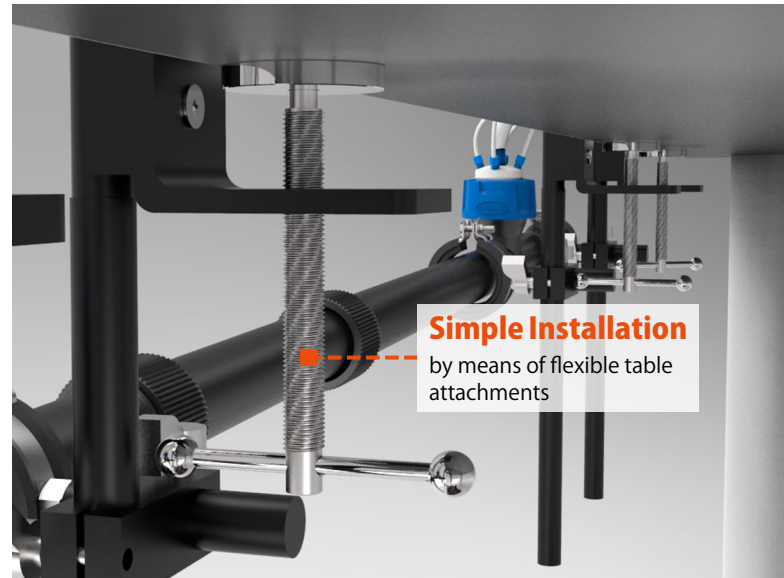
Flexible and Safe, in every Way.

Are you collecting your waste safely? With SymLine[®] FLEX you definitely can! The modular system fits snugly into your HPLC workplace. You now only require a single waste disposal container - no other awkwardly-placed waste containers need be used within the working area.

The flexible table installation allows for connections to your equipment to be made at any desired place. The resultant height then gives the required gradient - leading to a safe downward flow of liquid.

A table mounting is possible for various tabletop thicknesses, and the required attachments can be installed at the tabletop without the use of any tools.

The pipe system may be lengthened or shortened, according to your own specific wishes - all the pipework is intercompatible and easily interconnected.



SymLine[®]
Chemical Waste Systems

- ✓ **Powerful**
- ✓ **Quickly installed**
- ✓ **Professional protection**

SymLine[®]
Chemical Waste Systems

Chemical Waste
Systems

Line[®]

SCAT[®]

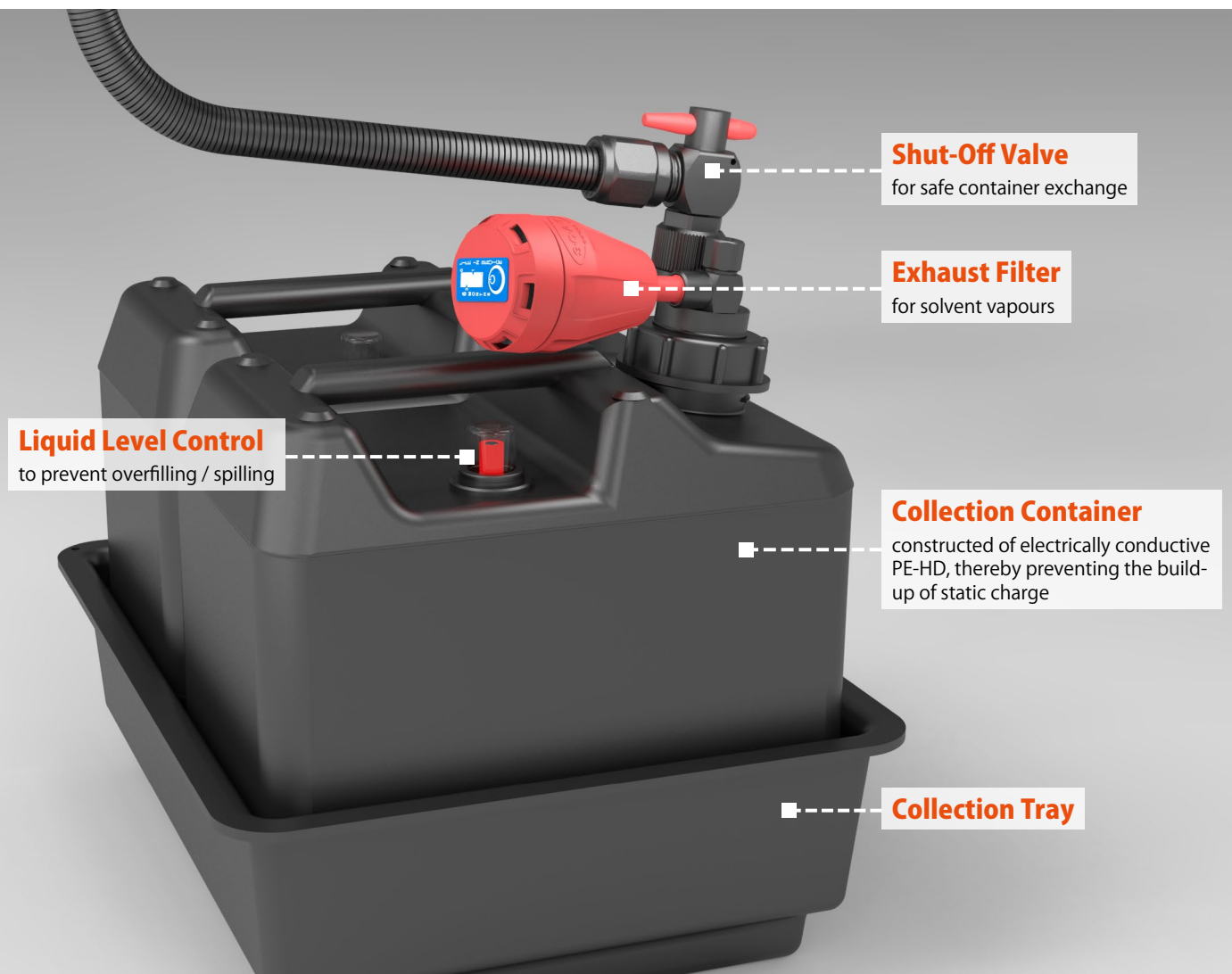
SymLine[®]
Chemical Waste Systems

No Chance for Solvent Vapours.

Proven S.C.A.T. safety technology provides for optimum protection, both during the supply, and during the disposal, of solvents. Solvent vapours are blocked and filtered out. The system is therefore independent of other extraction systems within the laboratory.

S.C.A.T. safety caps ensure that your solvents are kept clean and remain stable. They protect users and the environment from the effects of solvent vapours, and enable a continual smooth operation of the HPLC facility.

The integrated exhaust filter allows for optimum safety at the point of collection. It provides for a safe equalization of pressure within the container, and solvent fumes are filtered out. The liquid level control ensures that containers cannot overflow, without it being noticed.




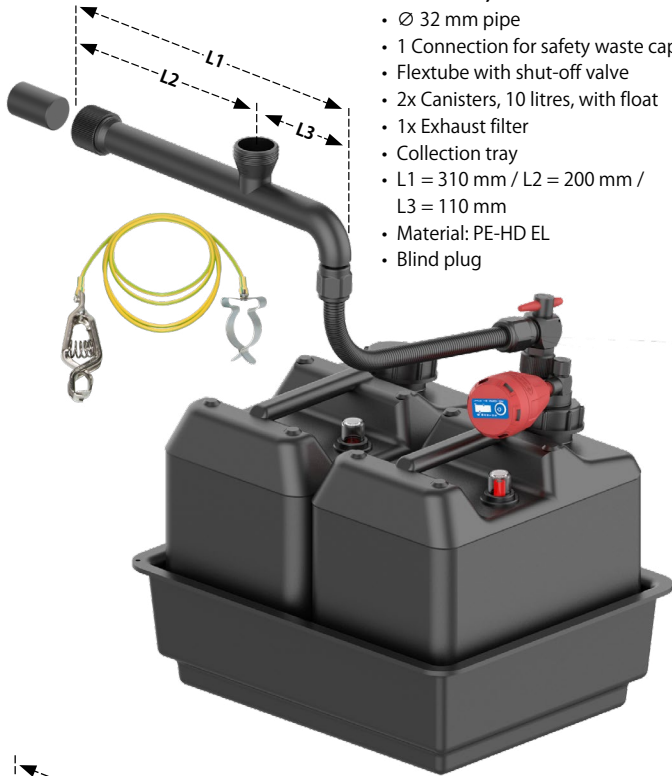
The Modular System for every Situation.

A

106 692

Starter Set, Basic


- Ø 32 mm pipe
- 1 Connection for safety waste cap 
- Flextube with shut-off valve
- 2x Canisters, 10 litres, with float
- 1x Exhaust filter
- Collection tray
- L1 = 310 mm / L2 = 200 mm / L3 = 110 mm
- Material: PE-HD EL
- Blind plug

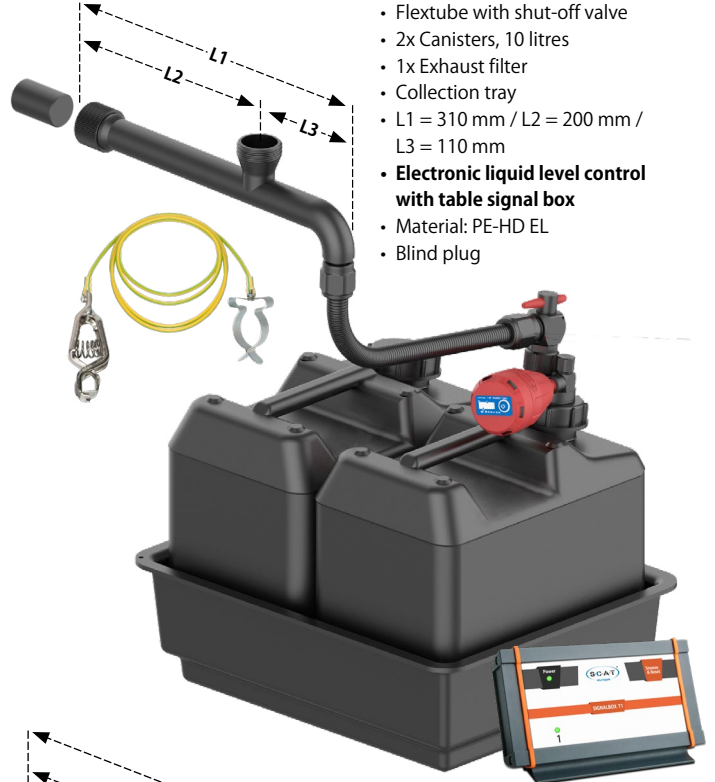


B

106 694

Starter Set, Premium

- Ø 32 mm pipe
- 1 Connection for safety waste cap 
- Flextube with shut-off valve
- 2x Canisters, 10 litres
- 1x Exhaust filter
- Collection tray
- L1 = 310 mm / L2 = 200 mm / L3 = 110 mm
- **Electronic liquid level control with table signal box**
- Material: PE-HD EL
- Blind plug

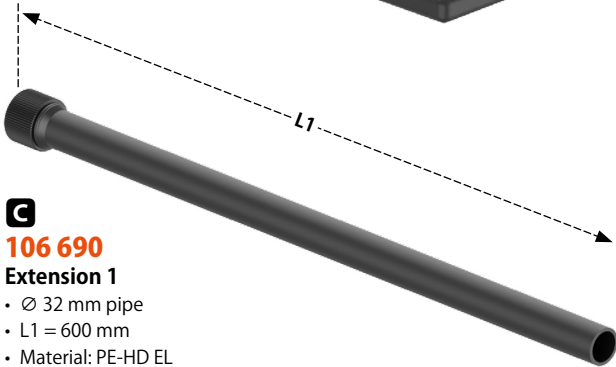


C

106 690

Extension 1


- Ø 32 mm pipe
- L1 = 600 mm
- Material: PE-HD EL

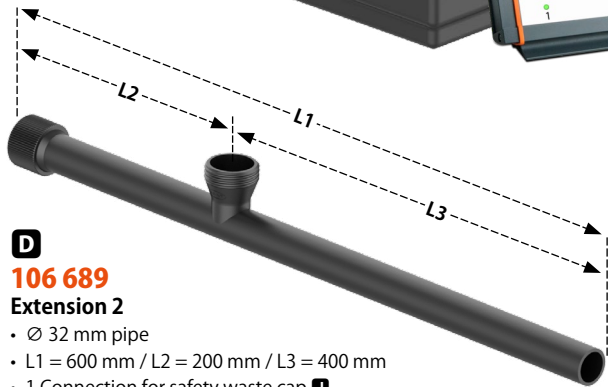


D

106 689

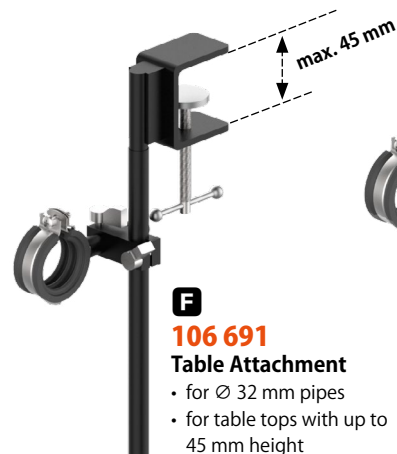
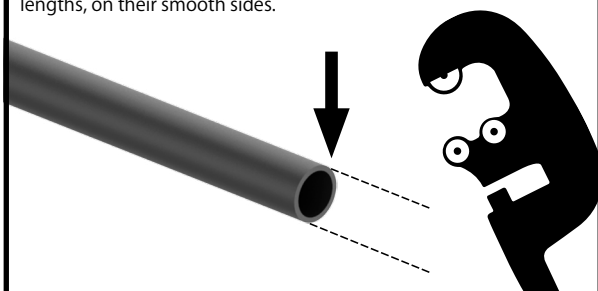
Extension 2

- Ø 32 mm pipe
- L1 = 600 mm / L2 = 200 mm / L3 = 400 mm
- 1 Connection for safety waste cap 
- Material: PE-HD EL



Flexible Pipe Lengths

The specific pipe lengths required can be constructed, using a suitable pipe cutter. Shorten the pipes to the desired lengths, on their smooth sides.



E

106 695

Wall Attachment

- for Ø 32 mm pipes
- 3 Fastening options:**
- Self-adhesive
- Screw fastening
- Magnetic

F

106 691

Table Attachment

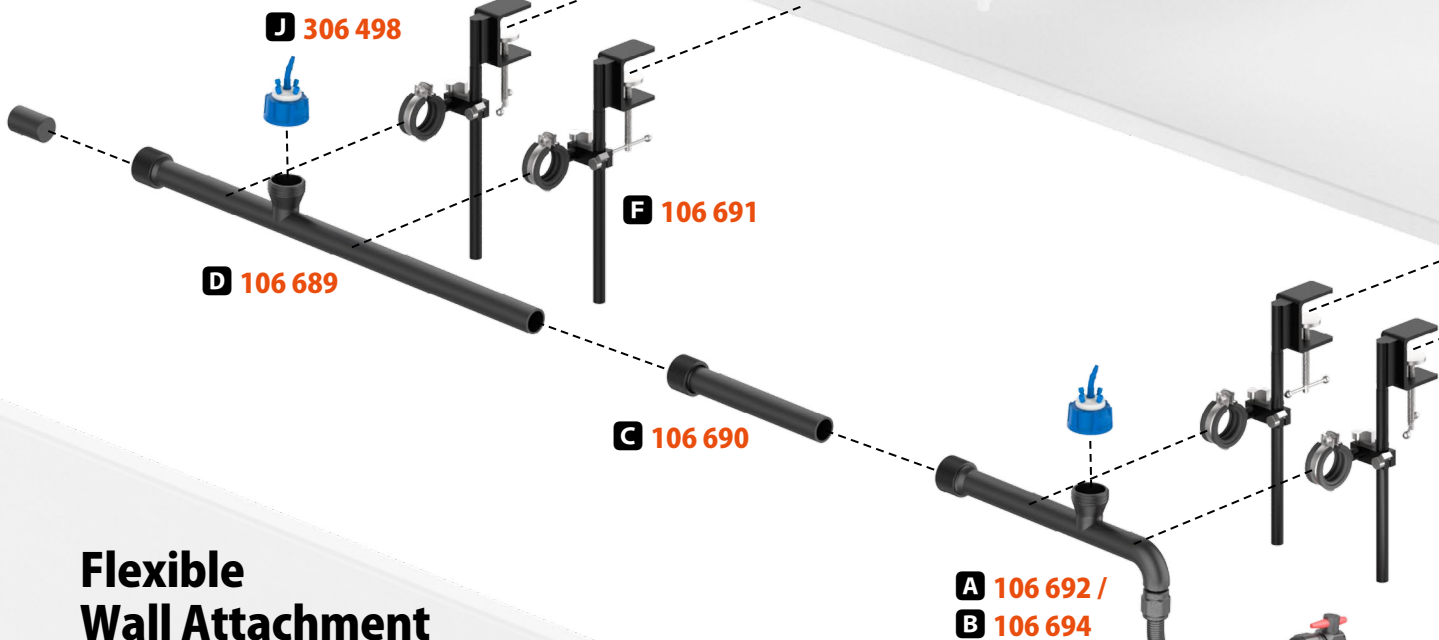
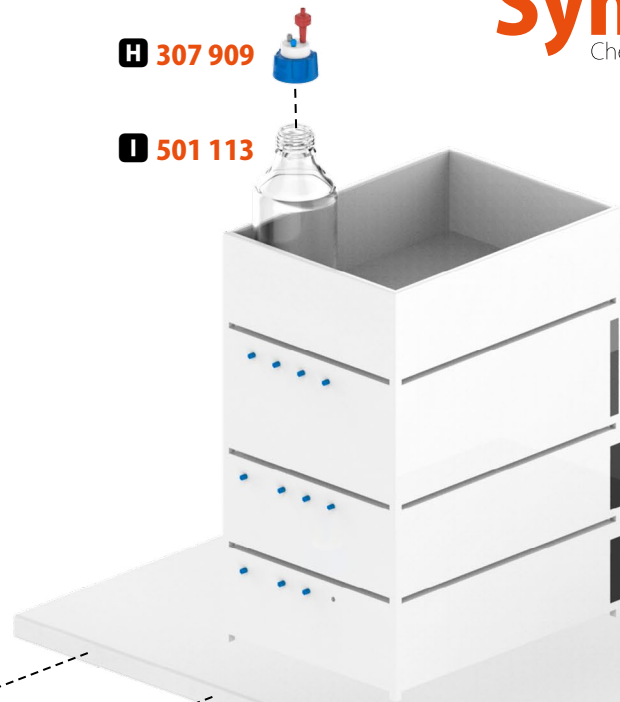
- for Ø 32 mm pipes
- for table tops with up to 45 mm height

H 307 909

I 501 113

Installation Example

The Ø 32 mm pipes can be assembled and combined, as required. Construct your pipe lengths to suit the specific requirements involved: shorten the pipes to the desired lengths, on their smooth sides.

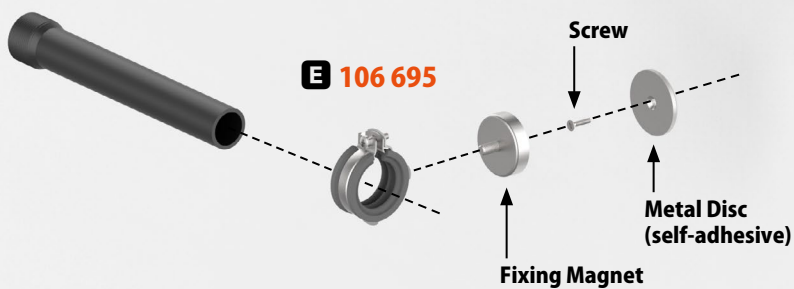
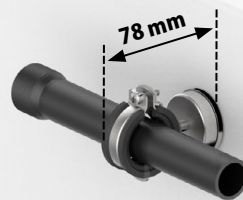


Flexible Wall Attachment

Screw fastening: suitable for wooden and synthetic surfaces

Self-adhesive: non-destructive, suitable for almost all surface types

Magnetic: non-destructive, suitable for metal surfaces. The strong fixing magnet provides for a sufficiently strong attachment - without screws.



Best Protection against Solvent Vapours.



G 317 010

H 307 909

I 501 113



G
317 010
S.C.A.T. Ventilation Valve (V2.0)
• For SafetyCaps
• Lifetime: 6 months



I
501 113
Supply Bottle for Solvents
• 1 litre, clear glass
• GL45 thread



H
307 909
S.C.A.T. SafetyCap II (V2.0)
• For HPLC solvent supply
• With air ventilation valve
• 2 connections for Ø 3.2 mm OD capillaries
• GL45 thread



J 306 489



J
306 498
S.C.A.T. SafetyWasteCap (V2.0)
• For HPLC waste tubes
• 4 connections for Ø 2.3 / 3.2 mm OD capillaries
• 1 connection for Ø 6.4 - 9 mm ID hose
• Includes blind plugs for unused connections
• Includes fittings and tube connections
• GL45 thread



K 390 336



K
390 336
S.C.A.T. Exhaust Filter (V2.0)
• For the collection unit
• Reserve pack
• Lifetime: 2x 6 months

HPLC Starter Kit



L 399 202

L

399 202

HPLC Starter Kit 3, V2.0

- For HPLC solvent supply
- 4x SafetyCap III (V2.0) with air ventilation valve
- Each with 3 connections for Ø 1.6 / 2.3 / 3.2 mm OD capillaries
- Includes blind plugs for unused connections
- GL45 thread, suitable for most typically used laboratory bottles



- Price advantage compared to single part ordering
- Suitable for all frequently used HPLC systems (irrespective of any particular manufacturer)
- Unused connections can be closed using blind plugs (also within the scope of supply)



Fig.	Part No.	Description	Contents	Quantity	Thread Size	Connections for Ø 1.6 / 2.3 / 3.2 mm OD Capillaries
L	399 202	HPLC Starter Kit 3, V2.0	SafetyCap III (V 2.0)	4x	GL 45	3
			Air Ventilation Valve	4x	UNF 1/4" 28G	-
			Fitting 1.6 mm	12x	UNF 1/4" 28G	-
			Fitting 2.3 mm	12x	UNF 1/4" 28G	-
			Fitting 3.2 mm	12x	UNF 1/4" 28G	-
			Blind Plugs for Capillary Connections	8x	UNF 1/4" 28G	-
			Insertion Label / Title Block	8x	-	-




- ✓ TRGS 727
- ✓ DIN EN 61340-5-1
- ✓ GefStoffV Zone 0, 1 and 2
- ✓ EN 1127-1
- ✓ DIN EN 60079-10-1
- ✓ DIN EN 60079-10-2
- ✓ SEFA 3
- ✓ SEFA 8

Info: SymLine[®] PE-HD EL

All components made of PE-HD EL can be earthed and are suitable for voltage equalization, as per TRGS 727.

Electrically conductive PE-HD EL displays a discharge resistance against earth of <math>< 10^9 \Omega</math>, as per DIN EN 61340-5-1, and is suitable for Zones 0, 1 and 2, as per the German Hazardous Substances Ordinance (GefStoffV), EN 1127-1, DIN EN 60079-10-1 and DIN EN 60079-10-2. It is resistant to chemicals, as defined in SEFA 3 and SEFA 8.



 **+49 (0) 61 05 / 30 55 86 - 47**

 **info@scat-europe.com**

 **www.symline.de**

A Brand of



S.C.A.T. Europe GmbH
Waldecker Straße 7
64546 Mörfelden-Walldorf
Germany

Phone: +49 (0) 61 05 / 30 55 86 - 0

Fax: +49 (0) 61 05 / 30 55 86 - 99

info@scat-europe.com

www.scat-europe.com